

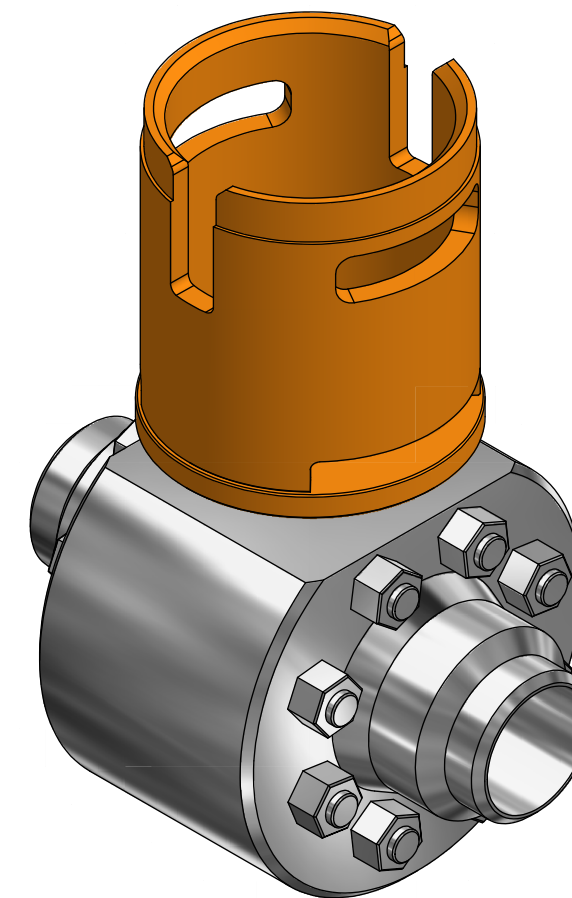
NOTE: 1  
 DESIGN CODE:  
 Standarder som er oppfylt og  
 som kommuniseres på COC  
 Web

NOTE: 2  
 TECHNICAL CLASSIFICATION:  
 Article Type: 007-Valves  
 Main Group: 7.2. Ball-Valve  
 Intermediate Group: 7.1014.9. 3"  
 Sub Group: 7.1014.276.1. Intervention

NOTE: 3  
 INTERFACE INFORMATION:  
 Pressure Rating Bar: 154  
 Material: N/A  
 Weight: 77 kg  
 Volume: 9837 cm<sup>3</sup>  
 Surface Area: 7151 cm<sup>2</sup>  
 Hydraulic: N/A  
 Mechanical: N/A  
 Electrical: N/A  
 Com. & Protocol: N/A

NOTE: 4  
 SPAREPARTS:  
 N/A

NOTE: 5  
 ADDITIONAL INFORMATION:



Rev.	Date	Reason for issue	Revision change	Made	Chk'd	Appr.
01	29.10.2015	2-IFT (Issued for Tender)				
				HNJ		



Dwg Scale:	NTS
Dwg Proj:	
Dwg Format:	A3

Drawing title:	3 inch Ball Valve with Class 4 Bucket	
Drawing number:	BA7407	Rev: 01